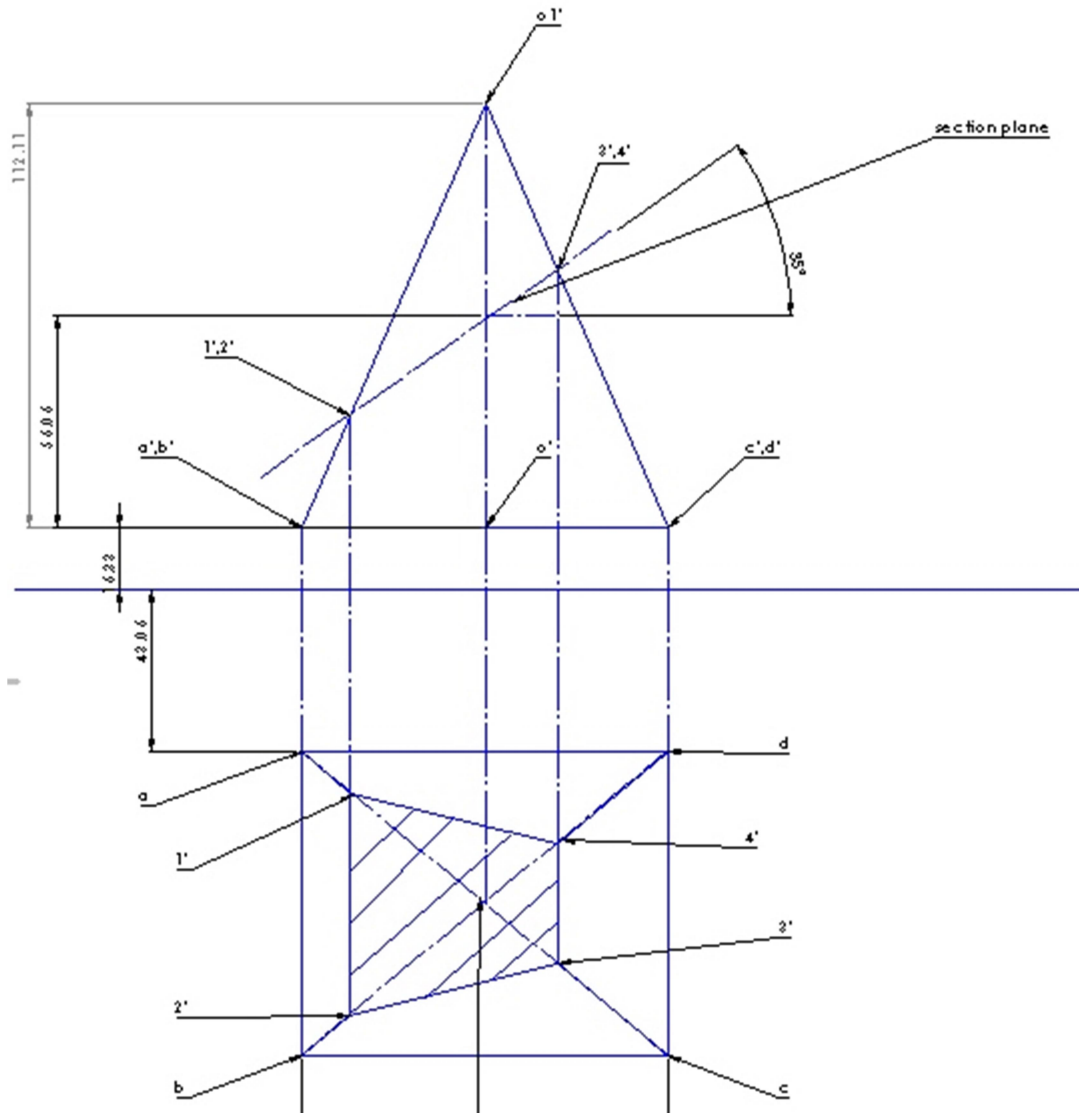
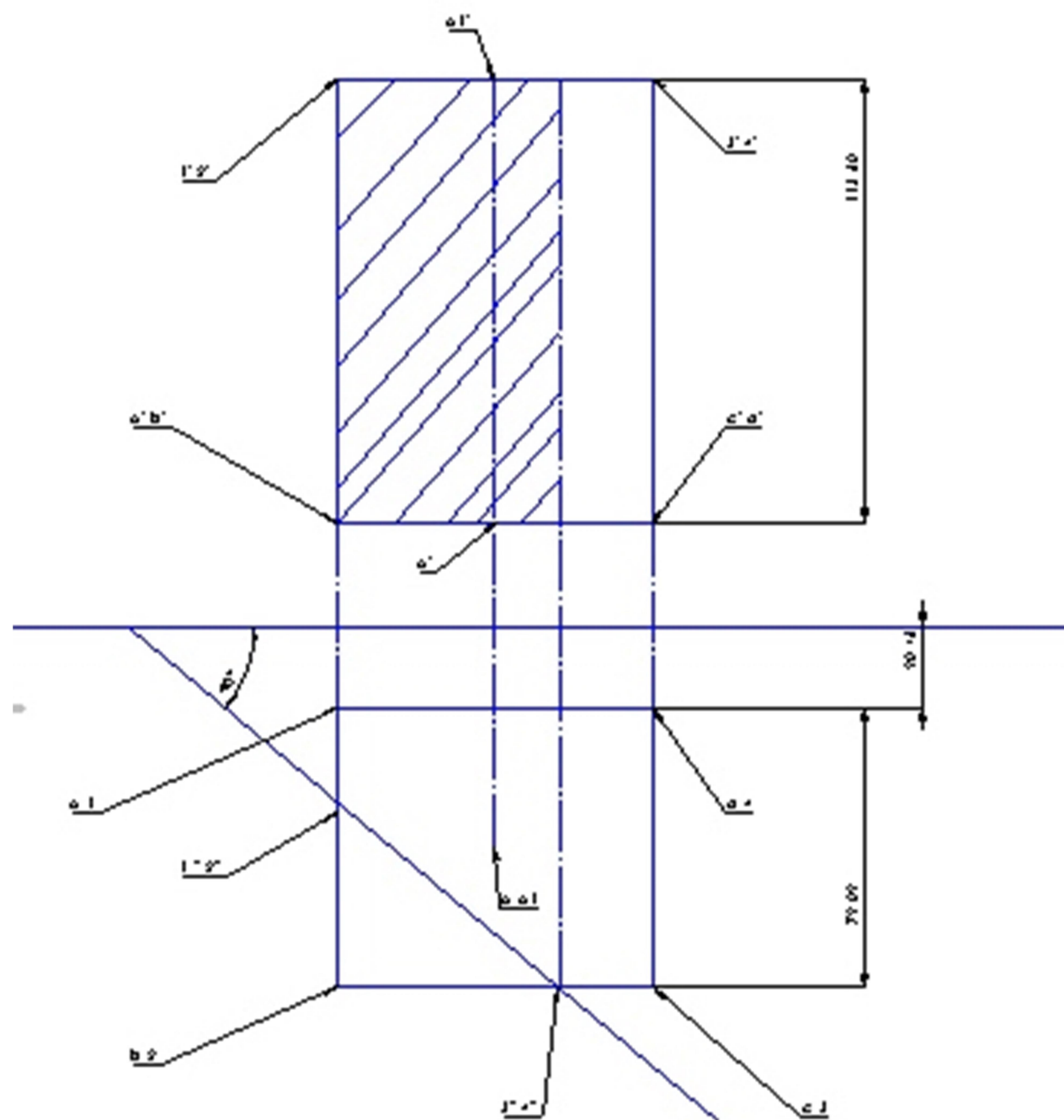


Q.2 A square base pyramided side 96 mm and height 119 mm ,axis perpendicular to HP cut by a section plane, section inclined to HP at 35 degree cut the axis 45 mm above the base.
Sol.



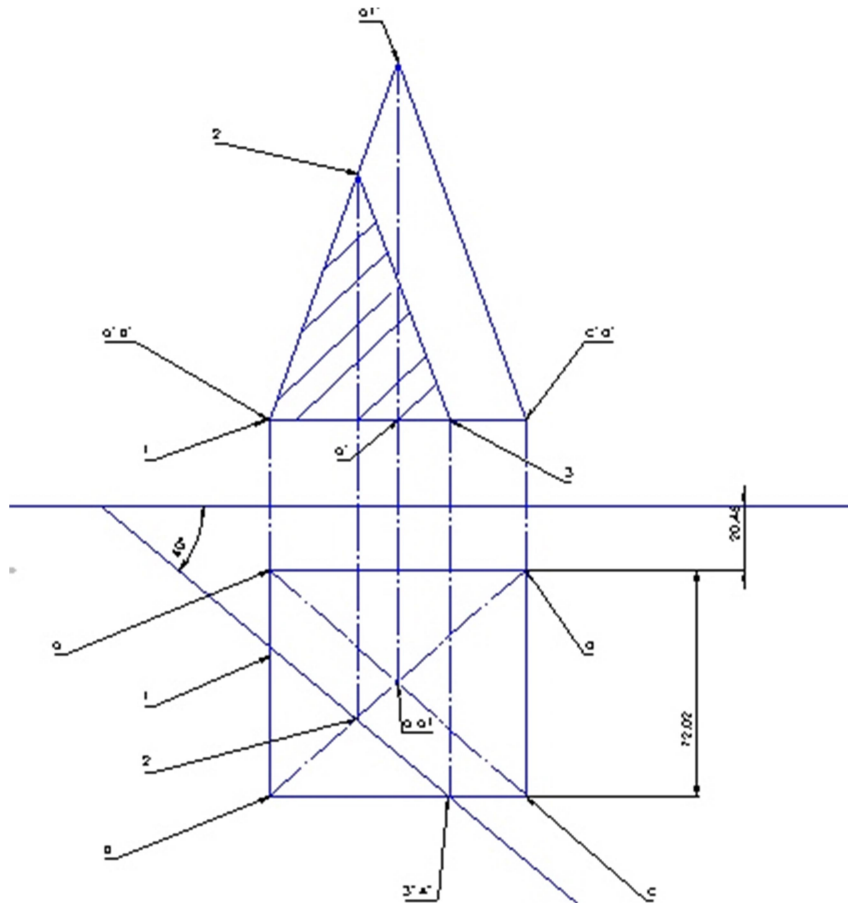
Case 4– axis perpendicular to HP and cut by a section Plane and section plane inclined to VP.

Q.1 A square base prism side 76 mm and height 119 mm ,axis perpendicular to HP cut by a section plane, section plane incline to VP at 40 degree and 20 mm above the center.
Sol.



Q.2. A square base pyramided side 76 mm and height 119 mm ,axis perpendicular to HP cut by a section plane, section plane incline to VP at 40 degree and 20 mm above the center.

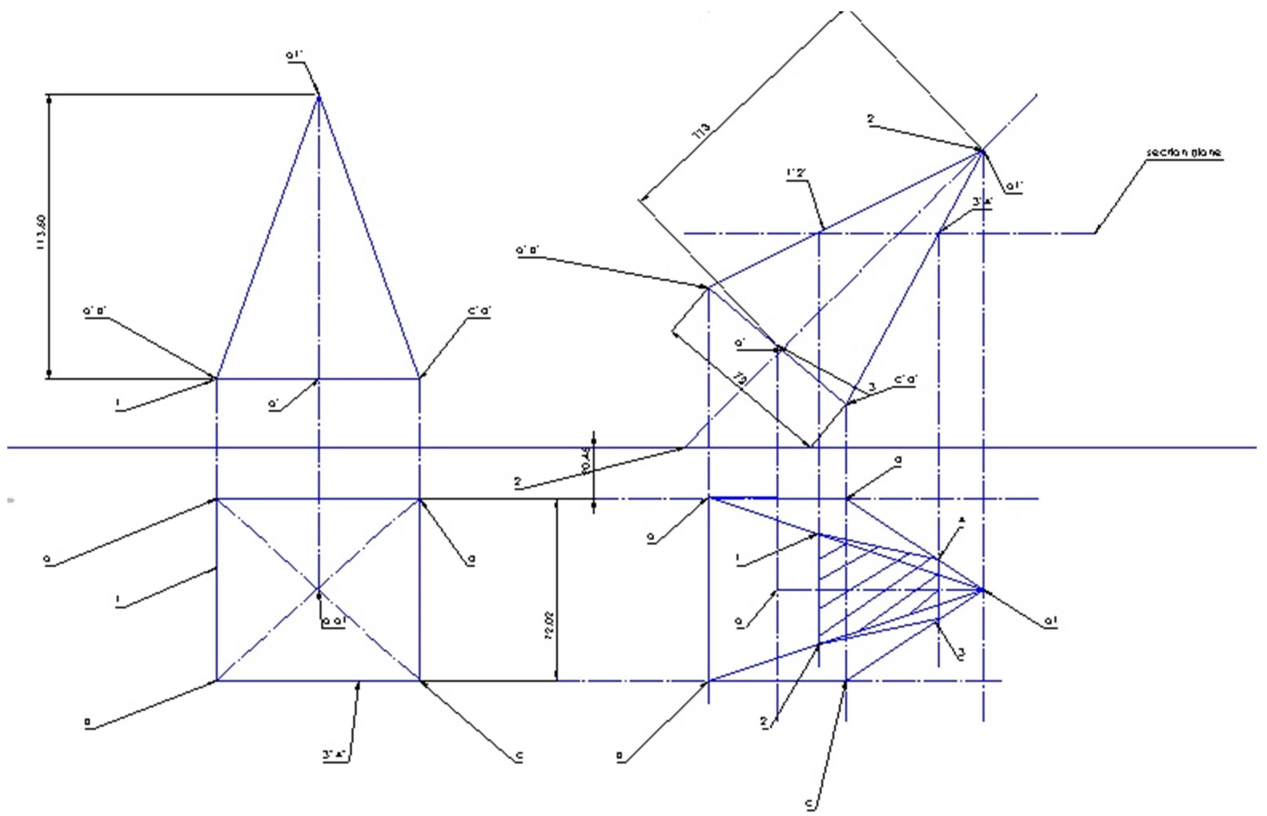
Sol.

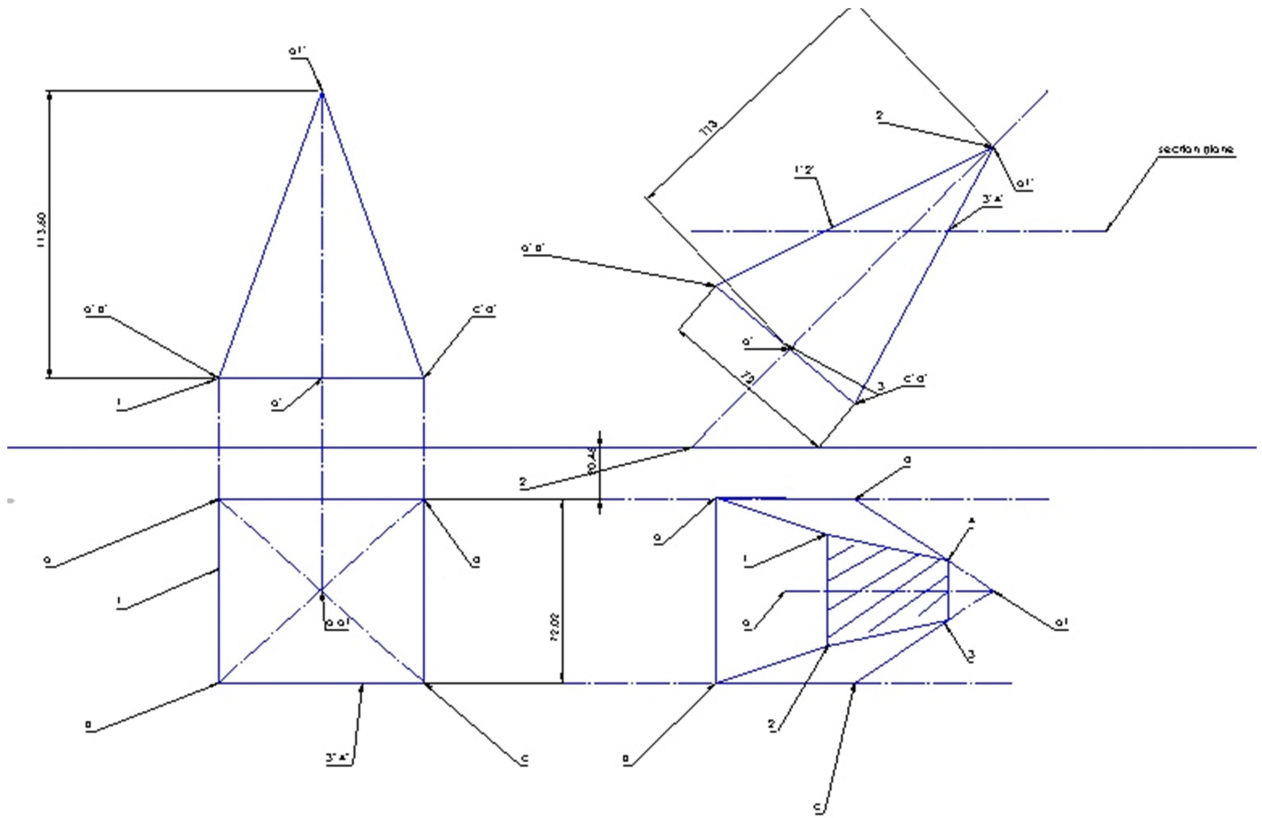


Case 5 – axis inclined to HP and cut by a section Plane and section plane parallel to HP.

Q.1. A square base pyramided side 75 mm and height 119 mm ,axis inclined to HP at 35° cut by a section plane, parallel to HP and cut the axis 45 mm above the base.

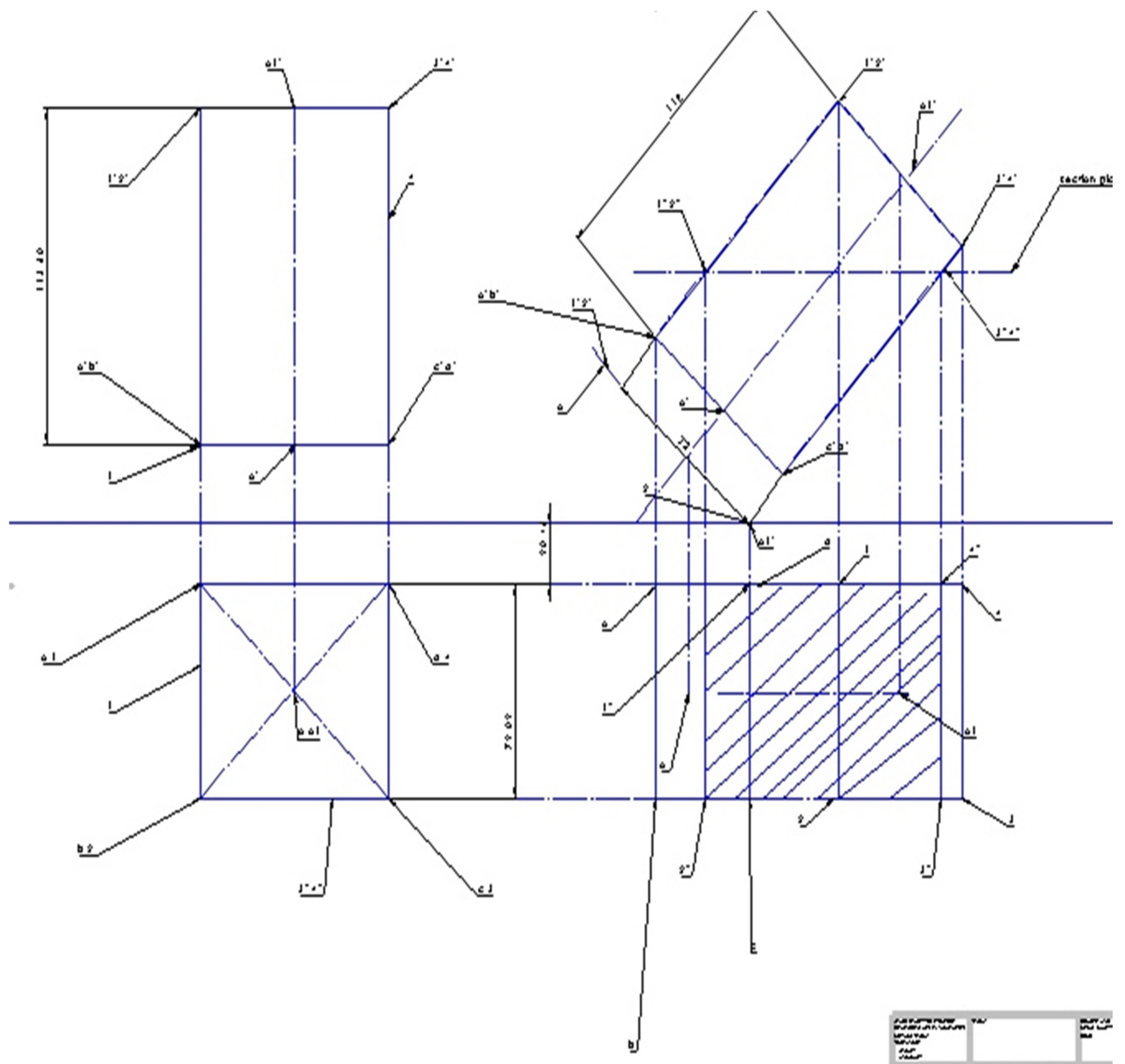
Sol.



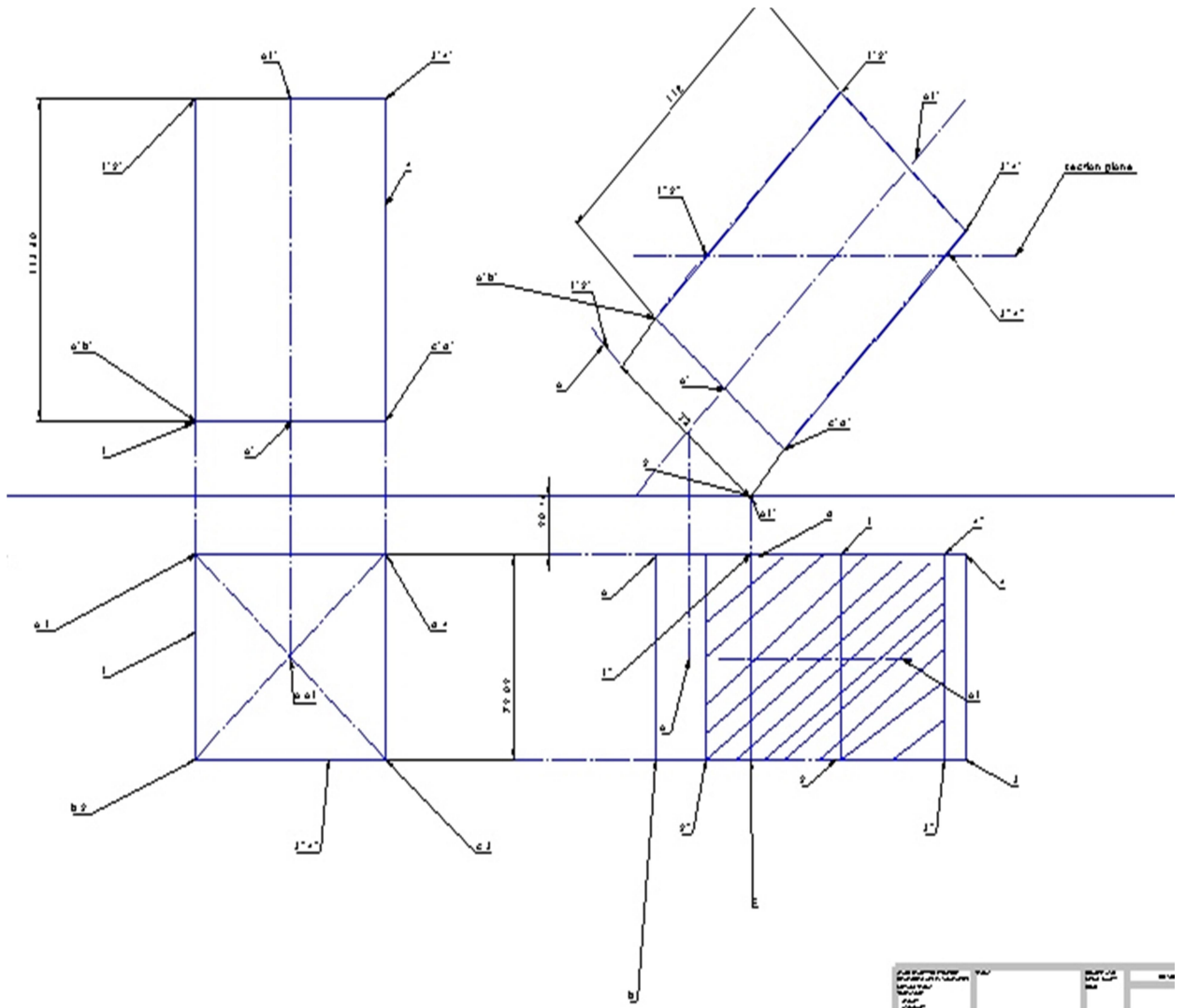


Q.2. A square base prism side 75 mm and height 119 mm ,axis inclined to HP at 35° cut by a section plane, parallel to HP and cut the axis 45 mm above the base.

Sol.



1. 2. 3. 4. 5. 6. 7. 8. 9. 10. 11. 12. 13. 14. 15. 16. 17. 18. 19. 20. 21. 22. 23. 24. 25. 26. 27. 28. 29. 30. 31. 32. 33. 34. 35. 36. 37. 38. 39. 40. 41. 42. 43. 44. 45. 46. 47. 48. 49. 50. 51. 52. 53. 54. 55. 56. 57. 58. 59. 60. 61. 62. 63. 64. 65. 66. 67. 68. 69. 70. 71. 72. 73. 74. 75. 76. 77. 78. 79. 80. 81. 82. 83. 84. 85. 86. 87. 88. 89. 90. 91. 92. 93. 94. 95. 96. 97. 98. 99. 100.	101. 102. 103. 104. 105. 106. 107. 108. 109. 110. 111. 112. 113. 114. 115. 116. 117. 118. 119. 120. 121. 122. 123. 124. 125. 126. 127. 128. 129. 130. 131. 132. 133. 134. 135. 136. 137. 138. 139. 140. 141. 142. 143. 144. 145. 146. 147. 148. 149. 150. 151. 152. 153. 154. 155. 156. 157. 158. 159. 160. 161. 162. 163. 164. 165. 166. 167. 168. 169. 170. 171. 172. 173. 174. 175. 176. 177. 178. 179. 180. 181. 182. 183. 184. 185. 186. 187. 188. 189. 190. 191. 192. 193. 194. 195. 196. 197. 198. 199. 200.	201. 202. 203. 204. 205. 206. 207. 208. 209. 210. 211. 212. 213. 214. 215. 216. 217. 218. 219. 220. 221. 222. 223. 224. 225. 226. 227. 228. 229. 230. 231. 232. 233. 234. 235. 236. 237. 238. 239. 240. 241. 242. 243. 244. 245. 246. 247. 248. 249. 250. 251. 252. 253. 254. 255. 256. 257. 258. 259. 260. 261. 262. 263. 264. 265. 266. 267. 268. 269. 270. 271. 272. 273. 274. 275. 276. 277. 278. 279. 280. 281. 282. 283. 284. 285. 286. 287. 288. 289. 290. 291. 292. 293. 294. 295. 296. 297. 298. 299. 300.
---	---	---



NO.	REVISION	DATE	BY	CHKD.