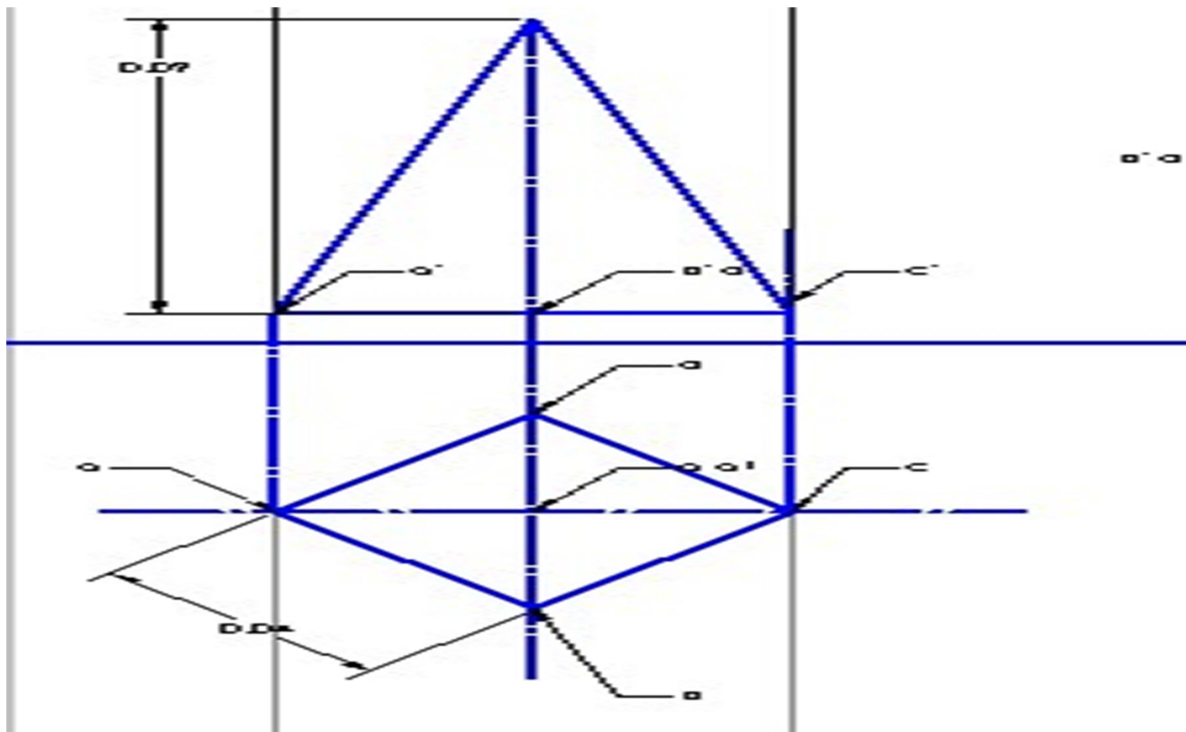
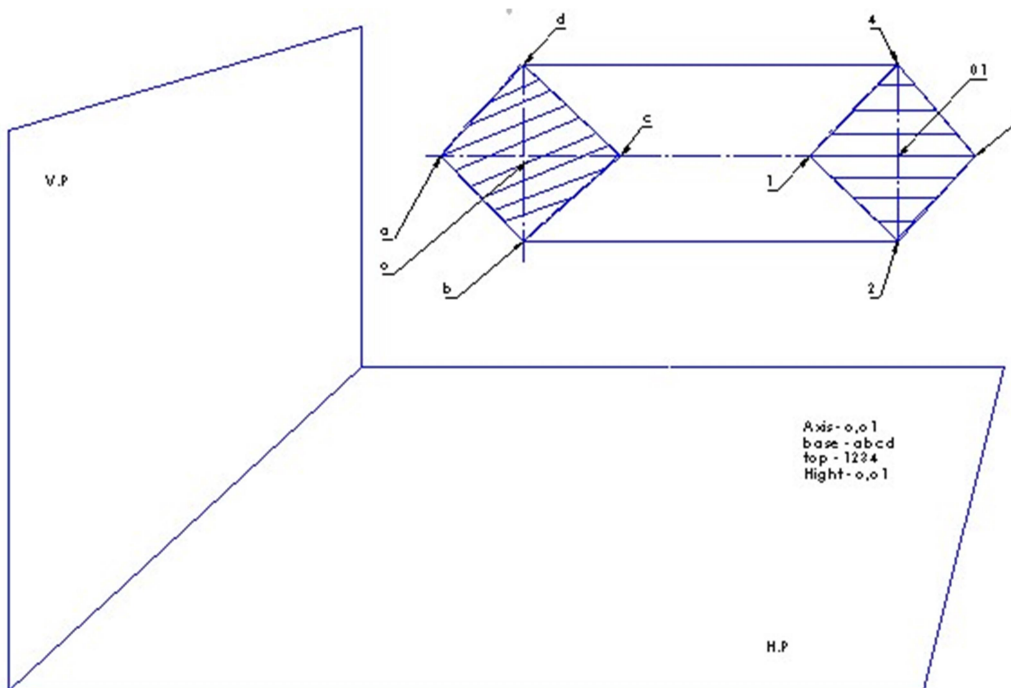


Sol.

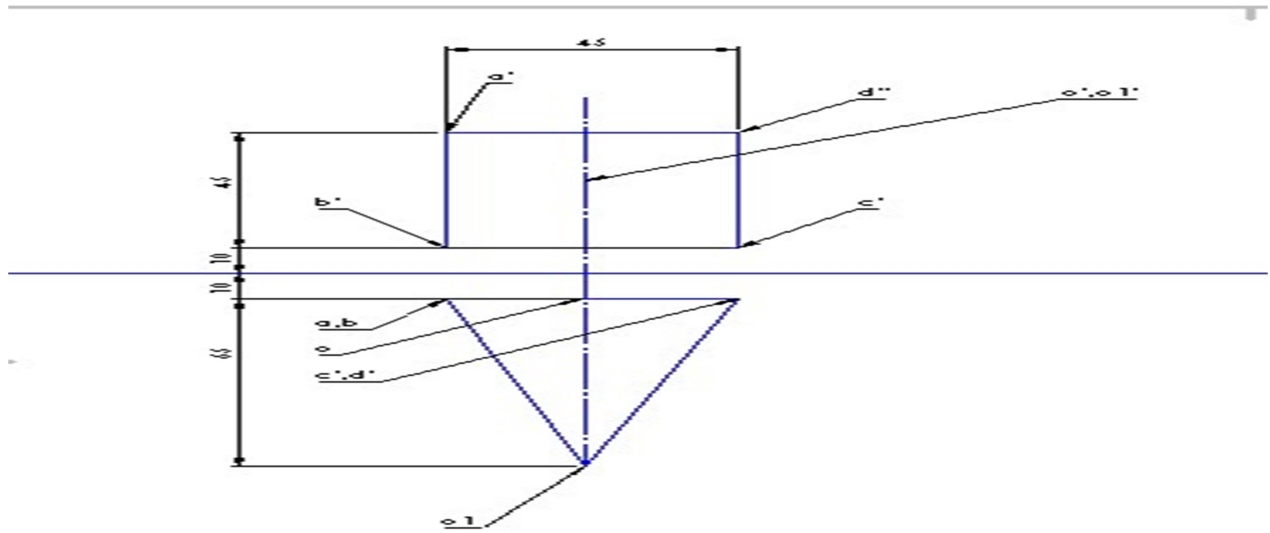


Case 2: Axis perpendicular to the VP



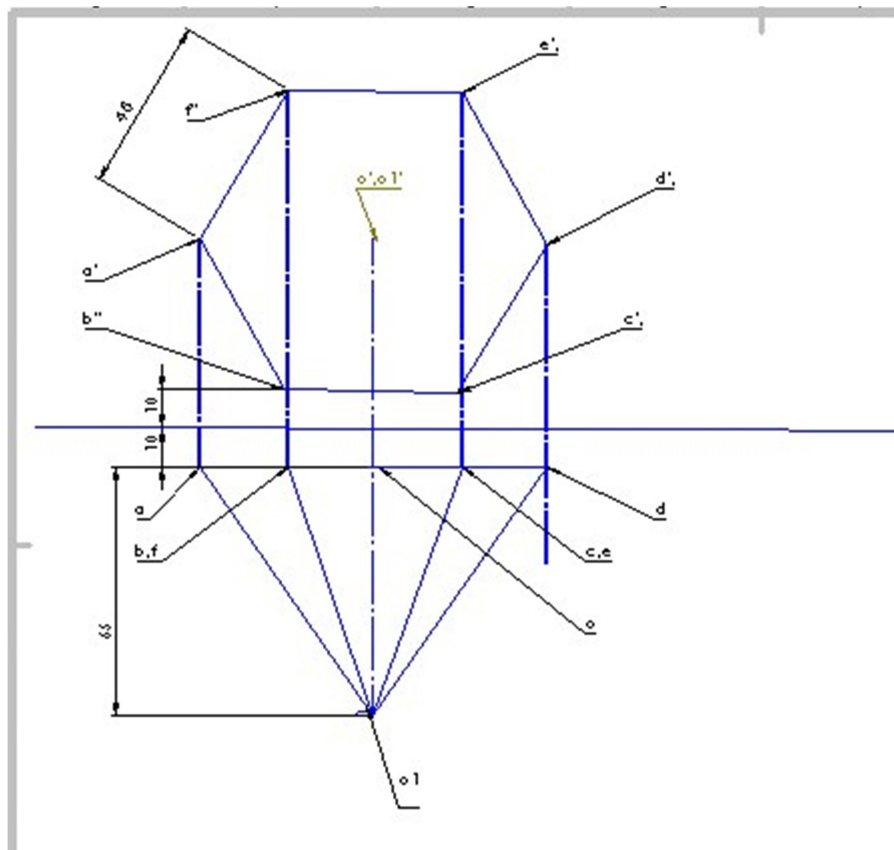
Ex.1 A square base pyramid side 40 mm and height 65 mm axis parallel to HP. Draw the projection.

Sol.

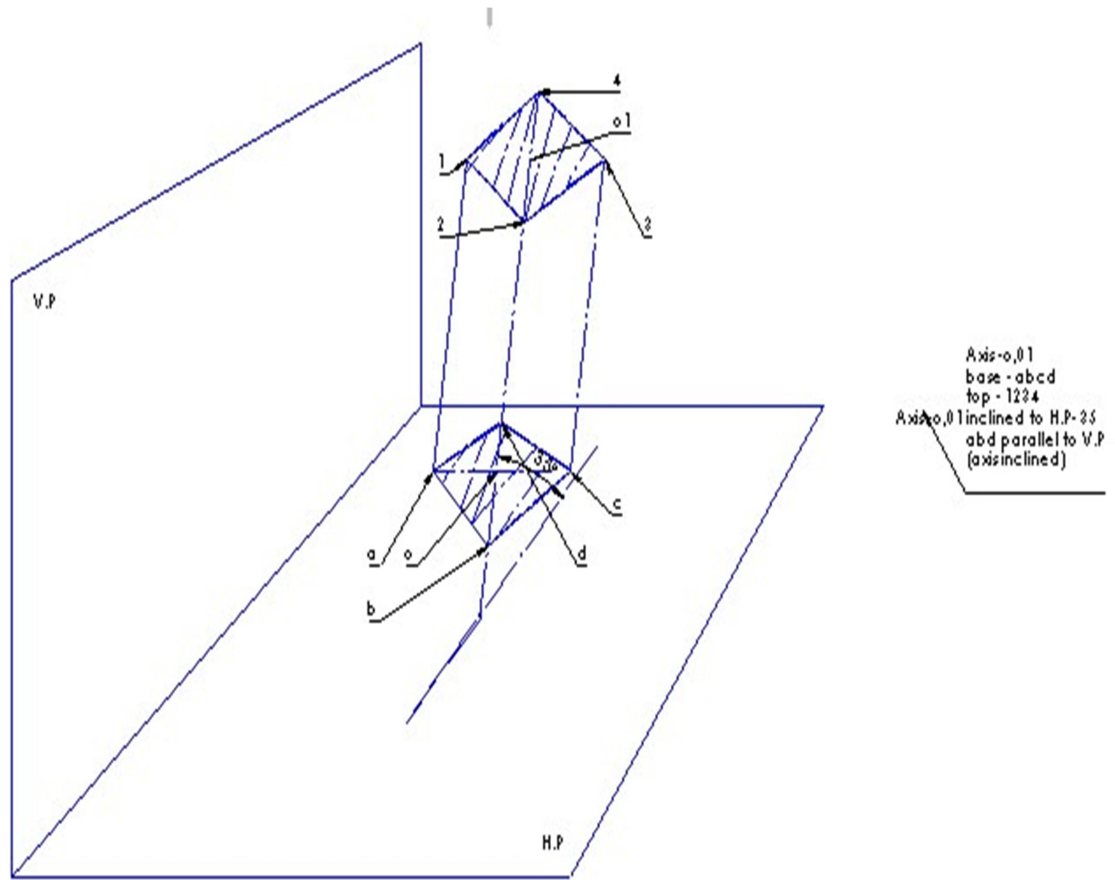


Ex.2 A Hexagonal base pyramid side 40 mm and height 65 mm axis parallel to HP. Draw the projection

Sol.



Case 3: Axis inclined to the HP and parallel to the V.P



Ex.1 A square base pyramid side 40 mm and height 85 mm axis inclined to HP 38° and parallel to VP.
Draw the projection. (all base side are equally inclined to the VP)

Sol.

