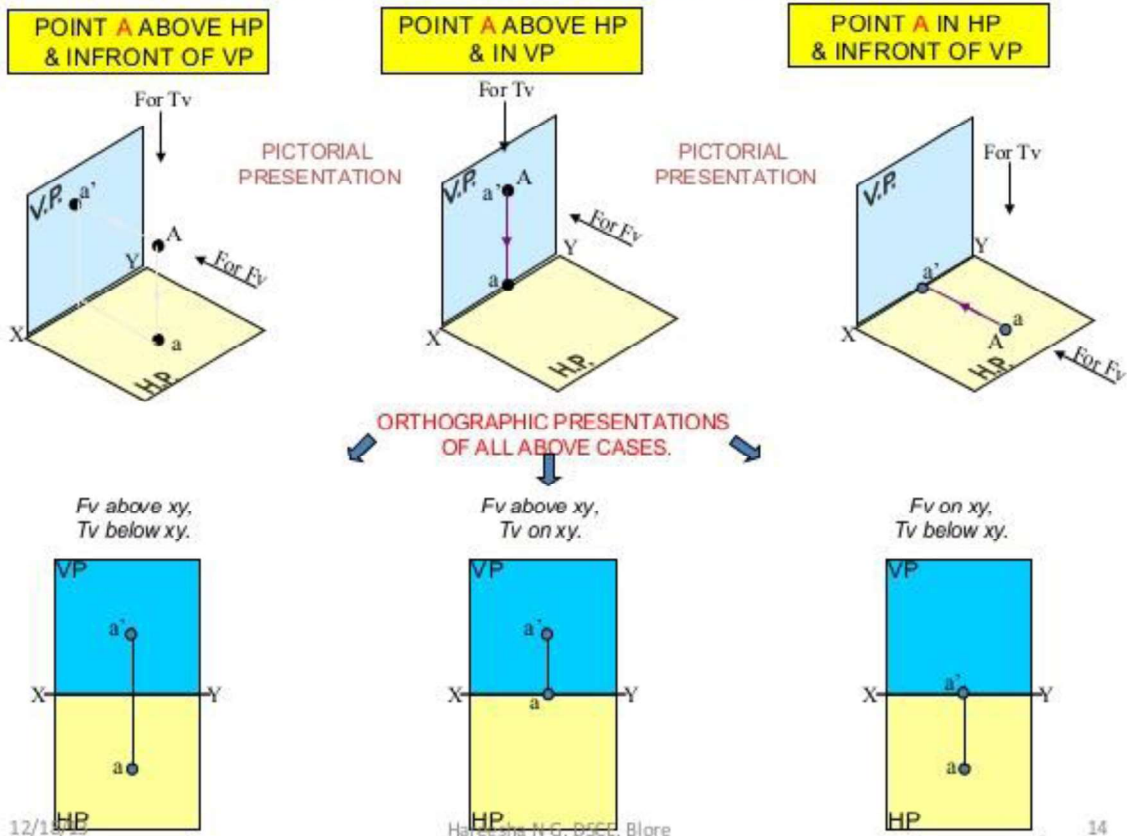
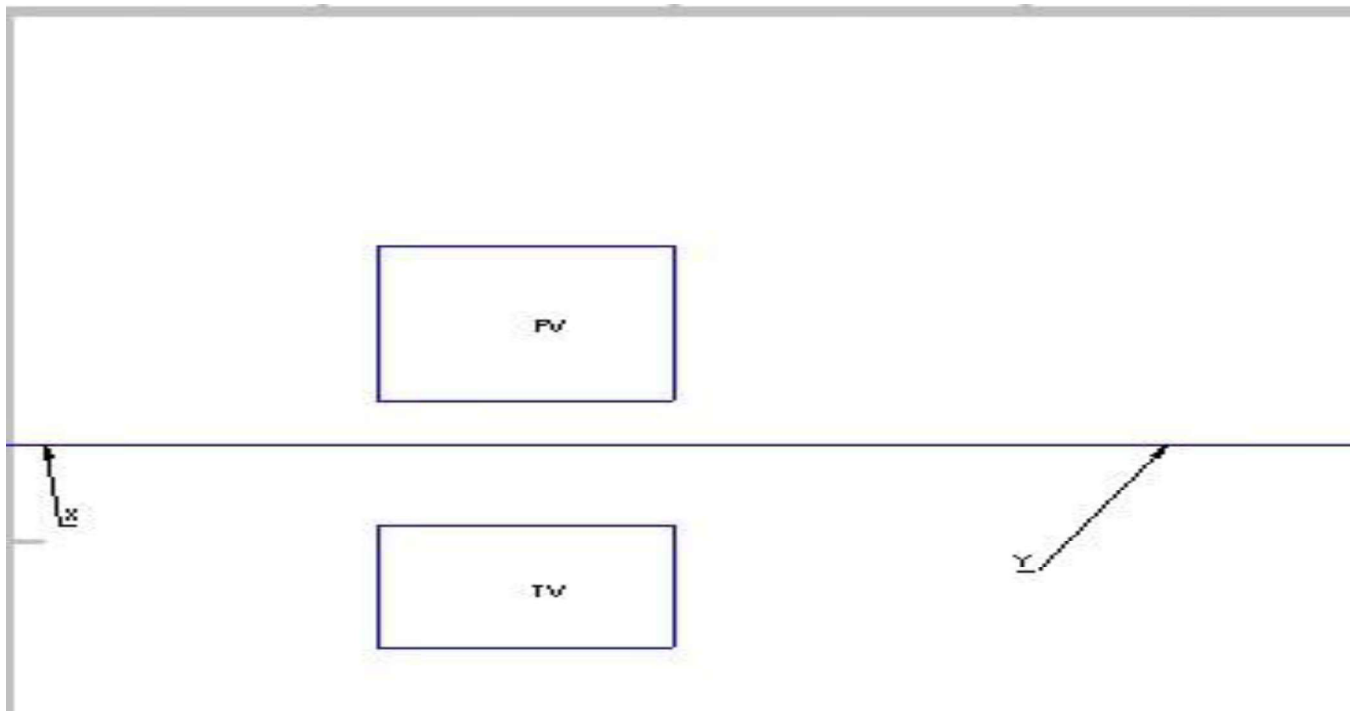


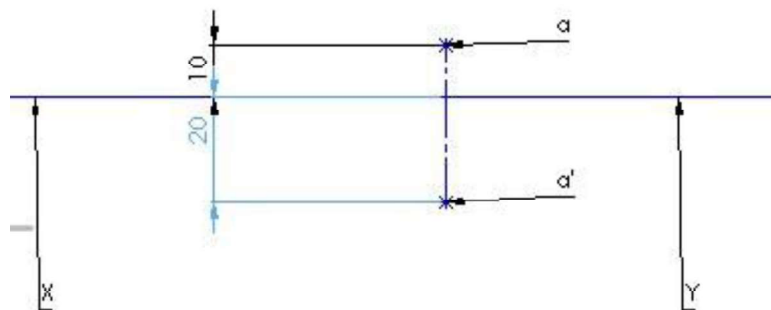
PROJECTIONS OF A POINT IN FIRST QUADRANT.





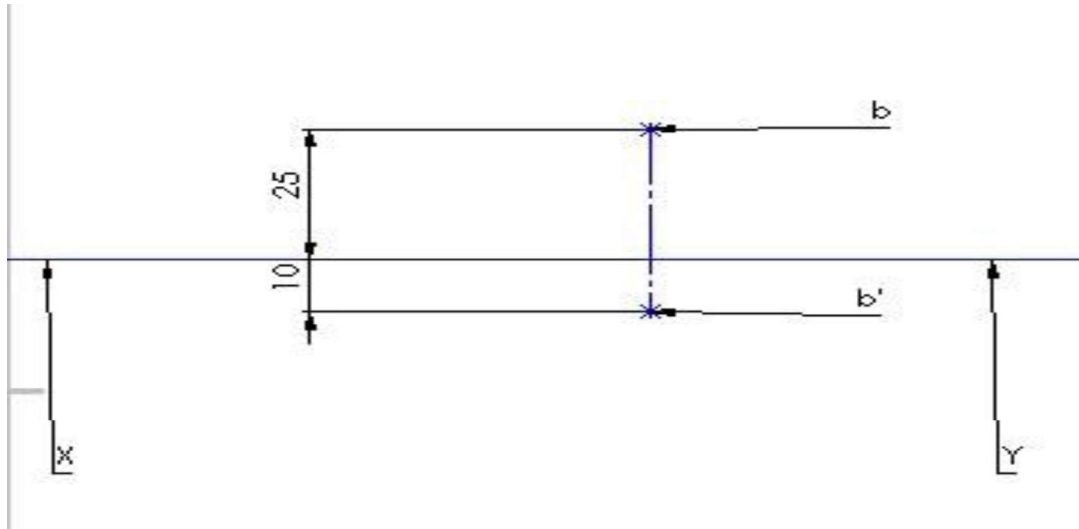
Q.1 A point A 10 mm above the HP and 20 mm front of VP. Draw the projection.

Sol.



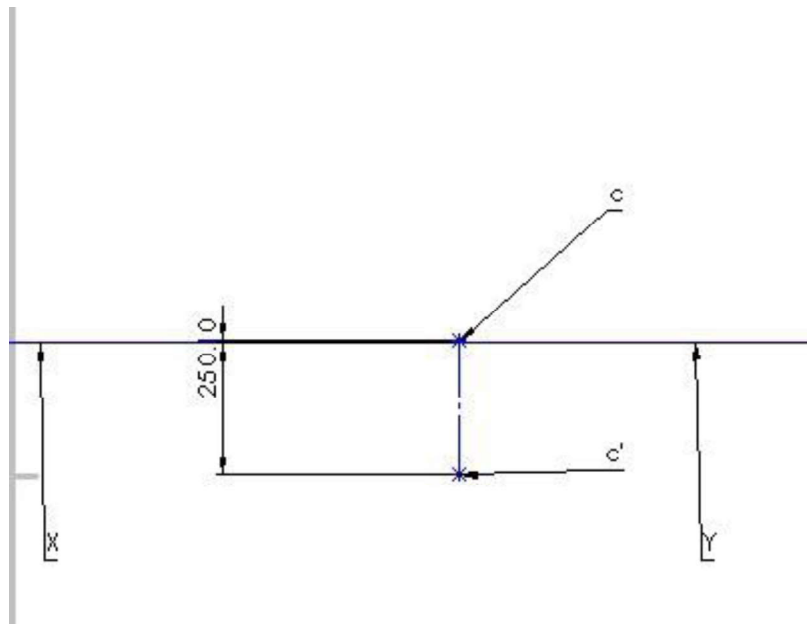
Q.2 A point B 25 mm above the HP and 10 mm front of VP. Draw the Projection.

Sol.



Q.3 A point c in HP and 25 mm front of VP .Draw the Projection.

Sol.



(ii) Second angle projection:-

