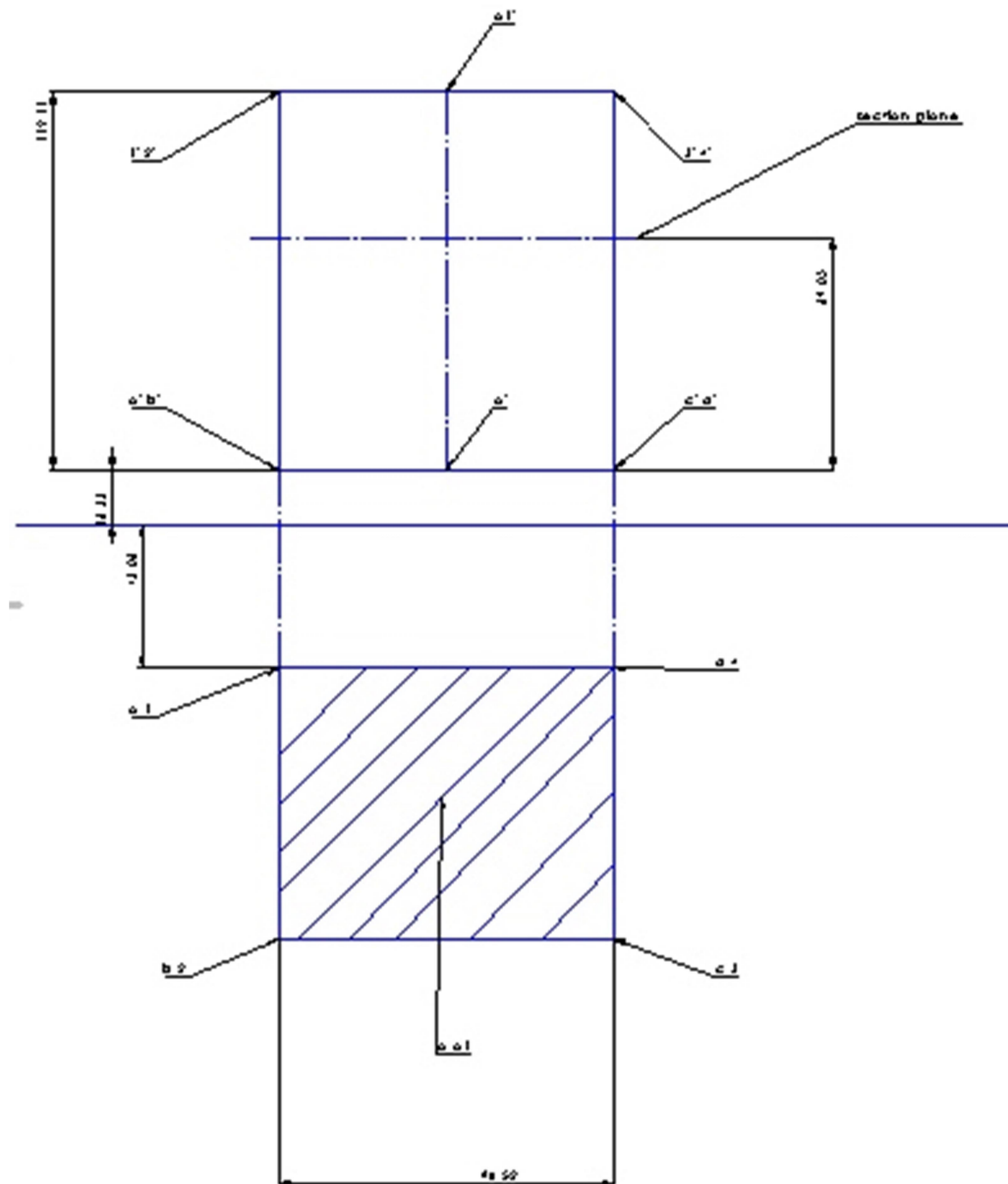


**Section of solid –**

**Case 1 –** axis perpendicular to HP and cut by a section Plane and section plane parallel to HP.

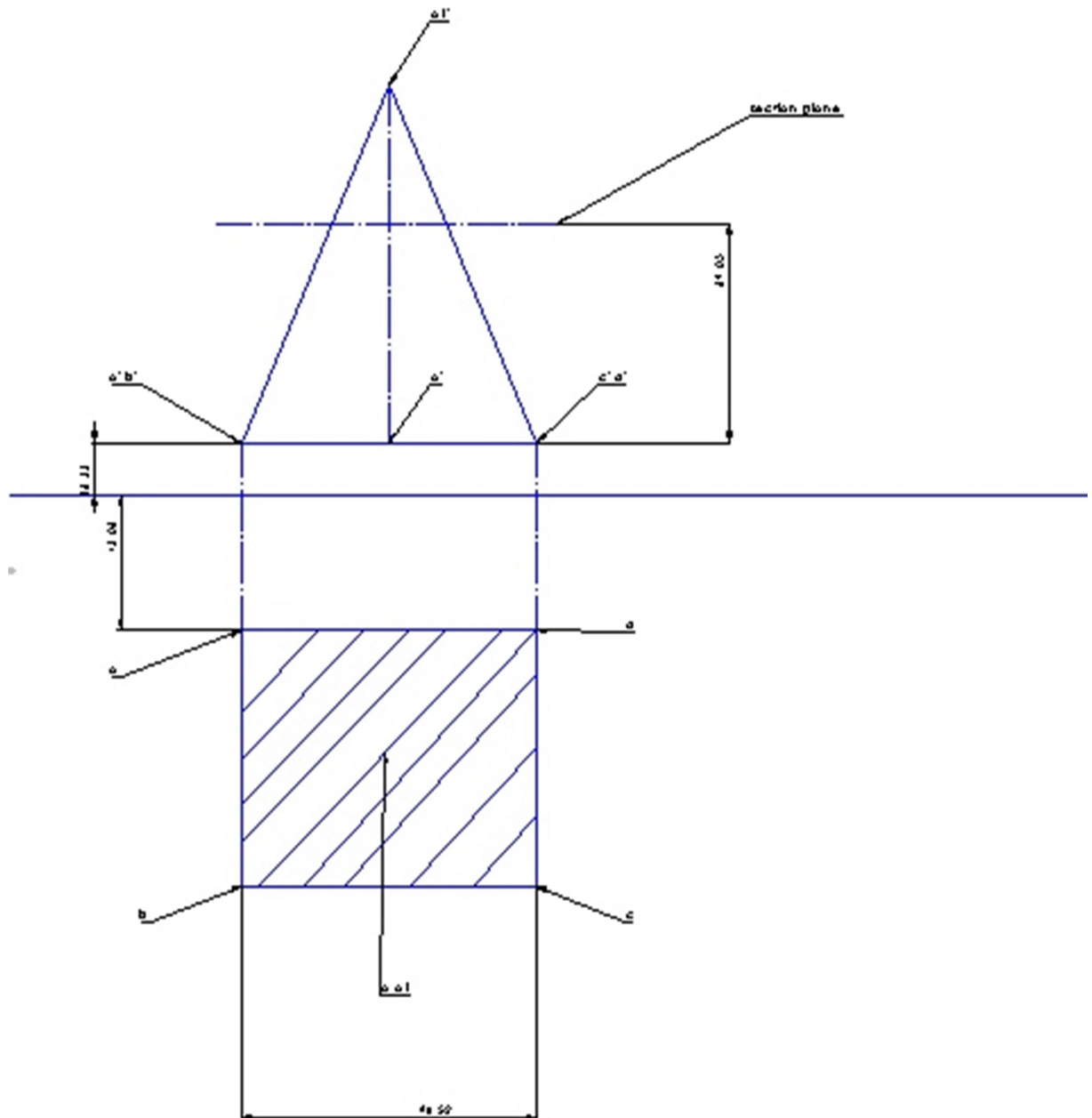
**Q.1** A square base prism side 96 mm and height 119 mm ,axis perpendicular to HP cut by a section plane, section plane parallel to HP and cut the axis 45 mm above the base.

Sol.



Q.2 Q.1 A square base pyramided side 96 mm and height 119 mm ,axis perpendicular to HP cut by a section plane, section plane parallel to HP and cut the axis 45 mm above the base.

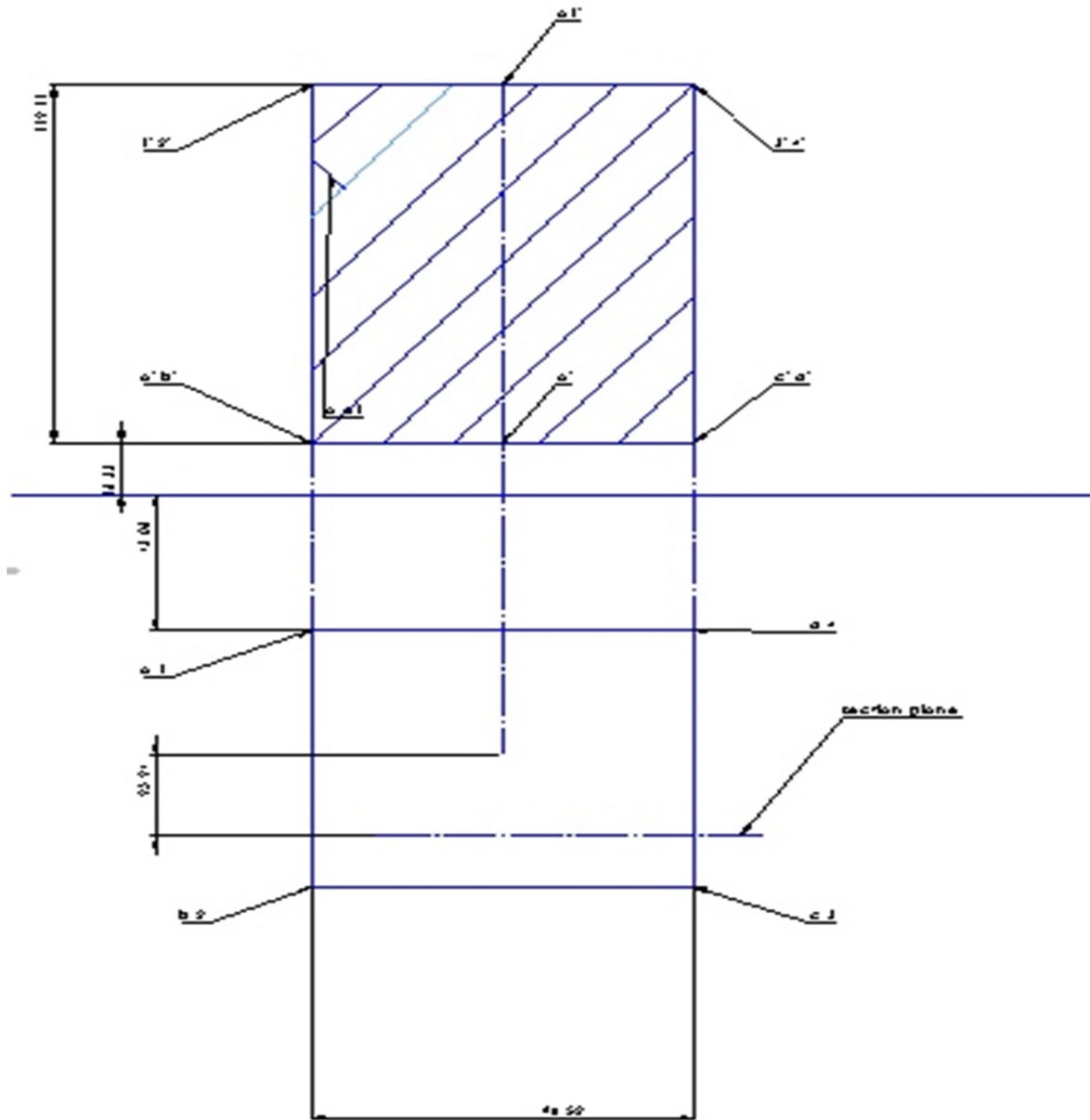
Sol .



Case 2 – axis perpendicular to HP and cut by a section Plane and section plane parallel to VP.

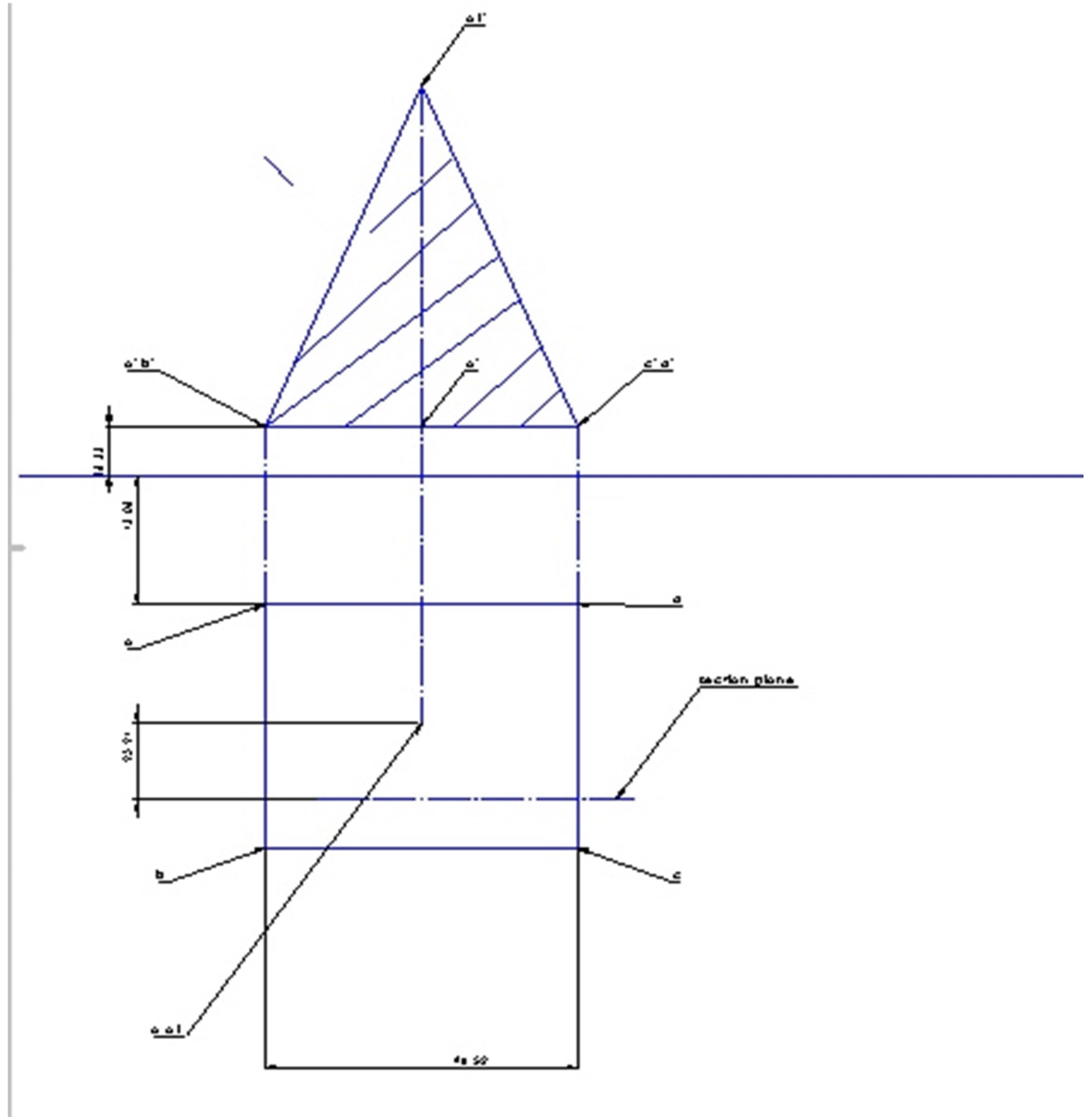
Q.1 A square base prism side 96 mm and height 119 mm ,axis perpendicular to HP cut by a section plane, section plane parallel to VP and cut the axis 25 mm away the center.

Sol.



Q.2 A square base pyramided side 96 mm and height 119 mm, axis perpendicular to HP cut by a section plane, section plane parallel to VP and cut the axis 25 mm away the center.

Sol



Case 3 – axis perpendicular to HP and cut by a section Plane and section plane inclined to HP.

Q.1 A square base prism side 96 mm and height 119 mm ,axis perpendicular to HP cut by a section plane, section plane incline to HP at 35 degree and cut the axis 45 mm above the base.

Sol

