

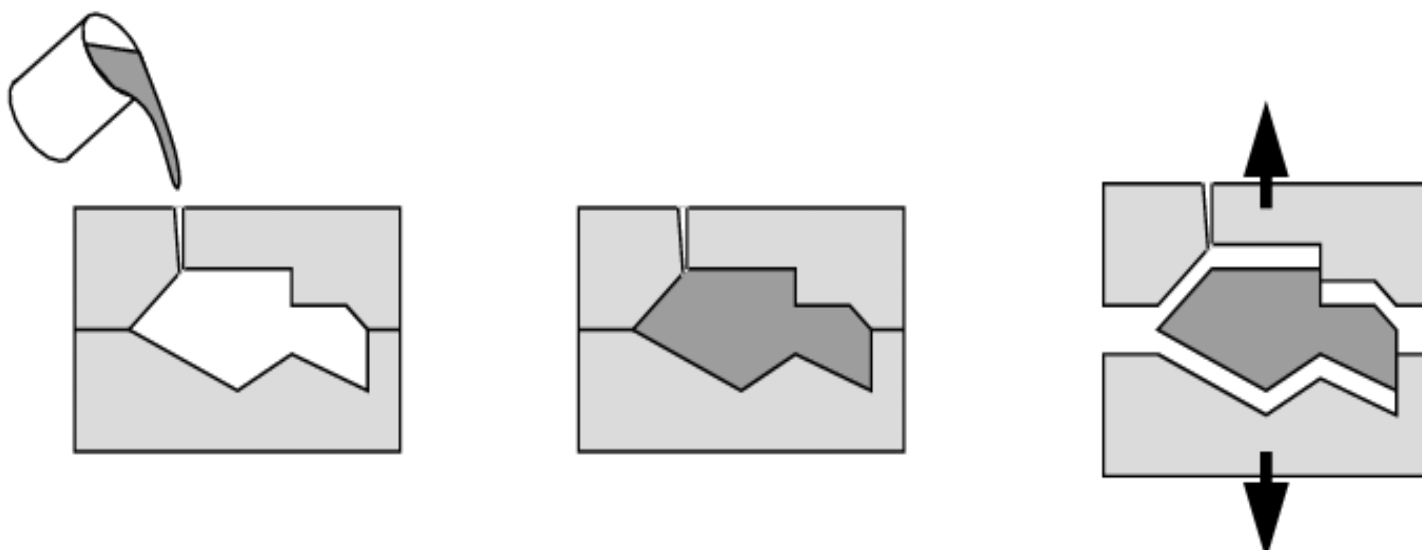
Lecture 2

CLASSIFICATION OF MANUFACTURING PROCESSES

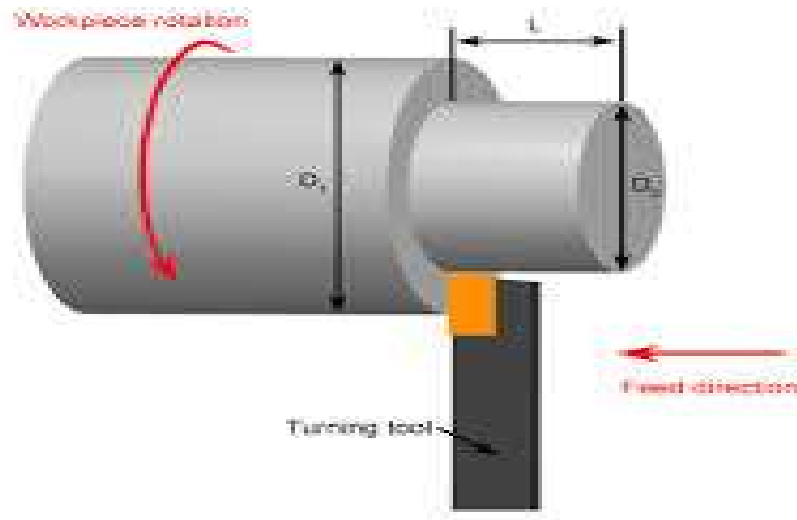
Manufacturing process is classify as follows:

1. Primary Shaping Processes
2. Machining Processes
3. Joining Processes
4. Surface Finishing Processes
5. Change in Properties

Primary process

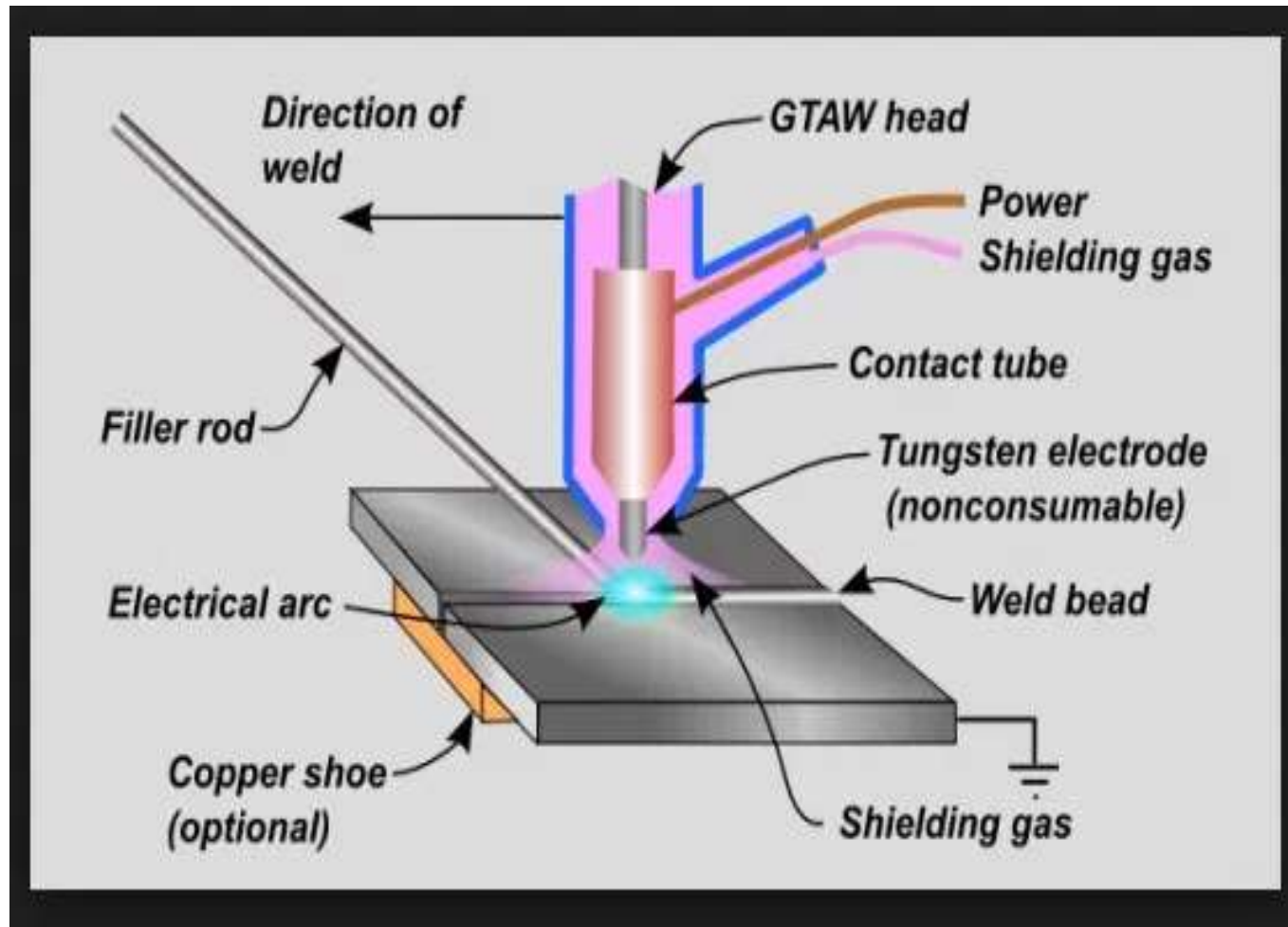


Machining Processes



Copyright © 2007 CustomPartNet

Joining Processes



Surface Finishing Processes

